

# FELLER GMBH

A-2525 GUENSELSDORF, AUSTRIA - TEL.: .. 43(2256) 62 32 50 - FAX: .. 43 (2256) 62 32 57  
e-mail: sales@feller-at.com <http://www.feller-at.com>

## Description: **BS13/3KS-H03VVH2F2X075-C7/1,80M SW9005 L31**

Rating of power cord: 2,5A/250Vac

### 1. PLUG: Type **BS13/3KS**

Molded plug according to : BS 1363/A  
Rated current and voltage : 3A, 250V AC with replaceable fuse 3A  
Plugbase : thermoplastic polyester (PBT) GFR  
Construction : double insulation, contacts crimped  
Pins : line & neutral: solid brass, nickel plated  
part insulated, crimped  
grounding: Polypropylen (PP)  
Pin dimensions : line & neutral 6,35mm x 4,00mm  
grounding 7,90mm x 4,00mm  
Outer mold : PVC compound, hardness Shore A75-77  
Approvals : ASTA,PSB verification SS145

### 2. CORD: Type **H03VVH2F2X0,75 mm<sup>2</sup> black**

Flexible cord according to : ÖVE K41a,HD 21.S2; AS3191  
Marked : \*JF\*<ÖVE><HAR>H03VVH2F2X0,75\*N1095\*CE  
Number of cores : 2  
Conductor construction : 23x0,2 mm O.D. 1,10mm  
Conductor insulation : Extruded PVC, O.D. 2,10mm  
Jacket : Extruded PVC, 3,30 mm x 5,40mm +/-0,20mm  
Electrical resistance of conductors : max.26 Ω/km  
Dielectric strength : 2kVac, 1min.  
Insulation resistance : >0,010 MΩ/km  
Color of conductors : brown, blue  
Approvals : HARMONIZED,ÖVE

### 3. CONNECTOR: Type **C7**

Molded connector according to : EN/IEC60320/C7  
Rated current and voltage : 2,5 A, 250 V AC  
Construction : double insulation  
Contacts of the connection : phosphor bronze CuSn6, crimped  
Inner insulation : PPO GFR  
Outer mold : PVC compound, hardness Shore A 75-77  
Approvals : CE,ENEC

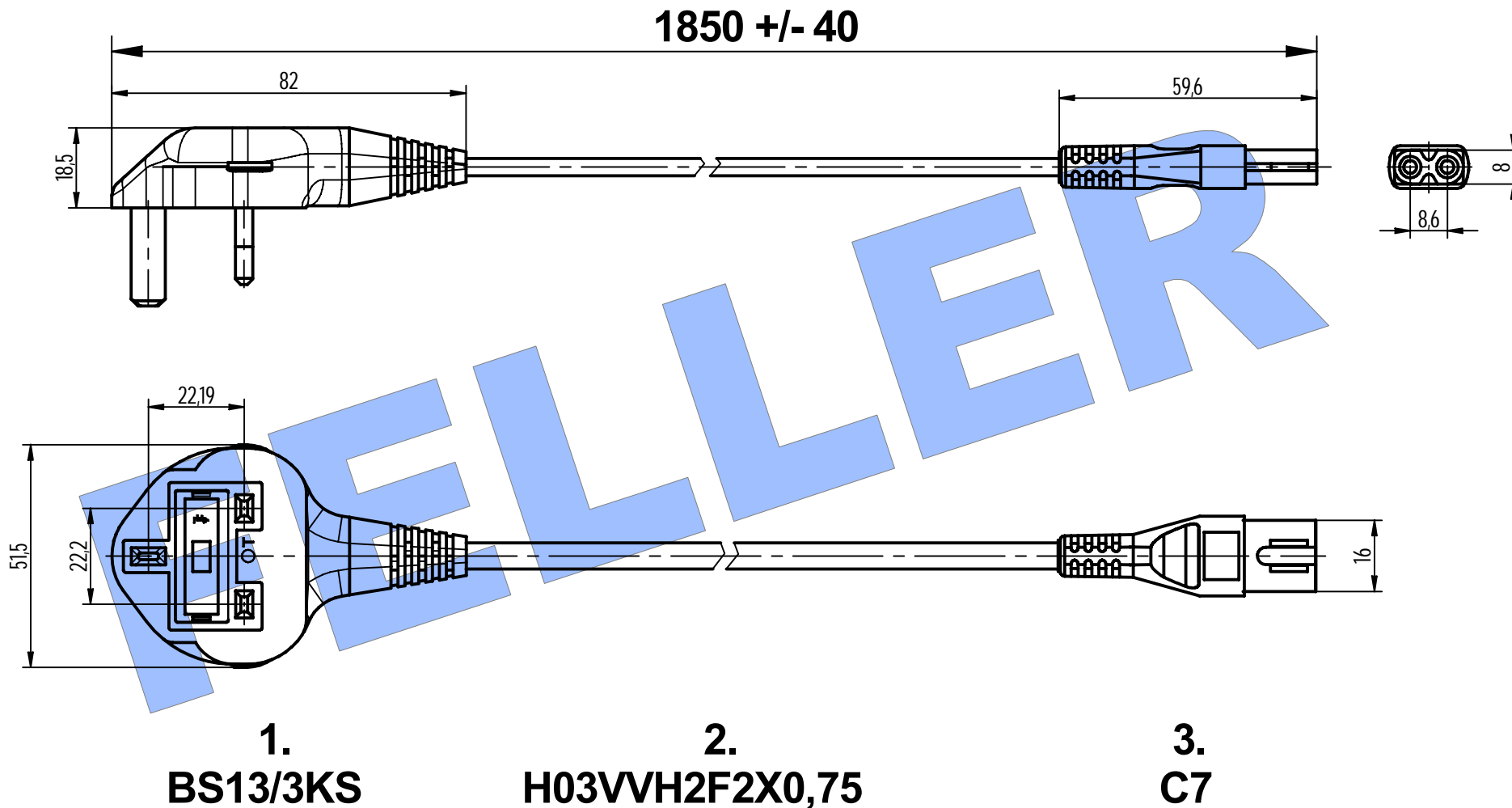
Environmental conformity : EU-Directive 2012/19/EU (WEEE)  
EU-Directive 2011/65/EU  
EU-Directive 1907/2006 EG (REACH -compliant)

### TESTING

Electrical testing : 100%  
Visual inspection : 100%  
High pot test wire to wire : 3kVac for 2 sec.  
Continuity test : 25A to grounding / line and neutral is fuse related  
Polarity test : yes  
Skin high pot test : 6kVac line to skin

design subject to change without prior notice

|                |               |       |    |
|----------------|---------------|-------|----|
| DATE of ISSUE: | February,2017 |       |    |
| REV: 6         | 1             | ORIG: | lg |



**Feller Type: BS13/3KS-H03VVH2F2X075-C7/1,80M SW9005 L31**

**FELLER** 

A-2525 Günselsdorf, Austria

Telefon 0043-2256-62325-0

Fax: 0043-2256-62325-7

email: [sales@feller-at.com](mailto:sales@feller-at.com)

<http://www.feller-at.com>

**All dimensions in mm**

28.02.2017

lg

RoHS compliant