

**Description: ZA/3-H03VVH2F2x0,75-C7/1,80m,black**

Rating of cord set: 2,5A,250Vac

**1. PLUG: Type ZA/3**

Molded plug according to : SANS 164/1, IS 1293  
Rated current and voltage : 16 A, 250 V AC  
Plugbase : PA GFR  
Construction : double insulation  
Pins : brass, part insulated  
Pins outer diameter : grounding O.D. 8,70 mm  
line and neutral O.D. 7,0 mm  
Outer mold : PVC compound, hardness Shore A75-77

**2. CORD: Type H03VVH2F2X0,75 mm<sup>2</sup>**

Flexible cord according to : ÖVE K41a,HD 21.S2; AS3191  
Marked : \*JF\*<ÖVE><HAR>H03VVH2F2X0,75\*N1095\*CE  
Number of cores : 2  
Conductor construction : 23x0,2 mm O.D. 1,10mm  
Conductor insulation : Extruded PVC, O.D. 2,10mm  
Jacket : Extruded PVC, 3,30 mm x 5,40mm +/-0,20mm  
Resistance of conductors : max.26 Ohm/km  
Dielectric strength : 2000 Vac, 1min.  
Insulation resistance : 500Vdc>50Mohms  
Color of conductors : yellow/green, brown, blue  
Approvals : HARMONIZED, VDE, ÖVE, CE BEC, KEMA, S, D, N, FI,  
SEV, UTE, IMQ, BSI, SAA

**3. CONNECTOR: Type C7**

Molded connector according to : EN/IEC60320/C7  
Rated current and voltage : 2,5 A, 250 V AC  
Construction : double insulation  
Contacts of the connection : phosphor bronze CuSn6  
Inner insulation : PPO GFR  
Outer mold : PVC compound, hardness Shore A 75-77  
Approvals : CE, ENEC

**Environmental conformity**

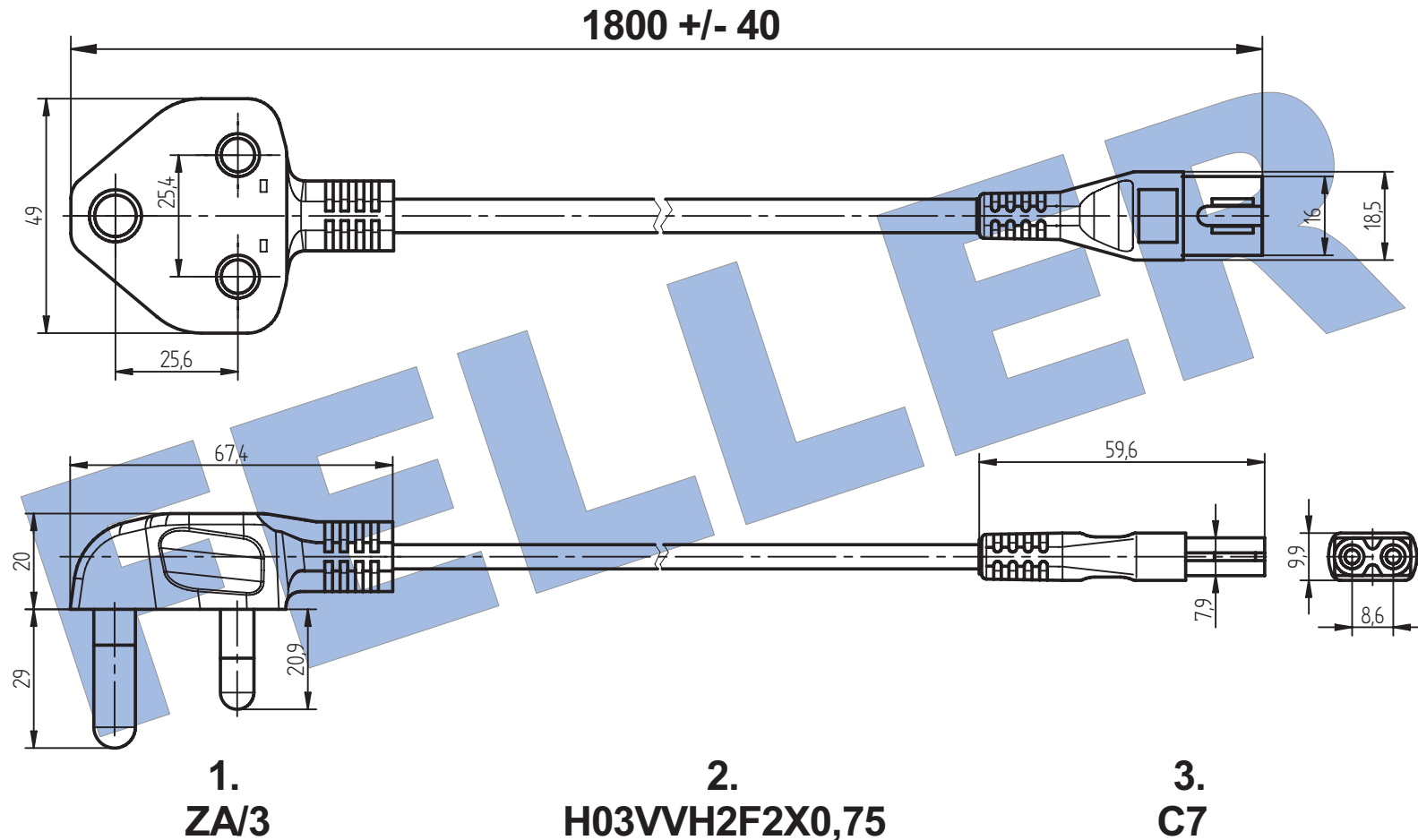
: EU-Directive 2002/96/EC (WEEE)  
EU-Directive 2003/11/EC (Council Directive 76/769/EEC)  
EU-Directive 2002/95/EC (RoHS-compliant)

**TESTING**

Electrical testing : 100%  
Visual inspection : 100%  
High pot test wire to wire : 3.000Vac for 2 sec.  
Continuity test : 25Aac to grounding / 20Aac to line and neutral  
Skin high pot test : 6.000Vac line to skin

Tolerances not indicated in the drawing: +/- 2 %  
design subject to change without prior notice

DATE of ISSUE:	March, 2011		
REV: 1	1	ORIG:	lg



**Feller Type: ZA/3-H03VVH2F2X0,75-C7/1,80m, black**

**P/N:**

**All dimensions in mm**

**07.03.11**

**lg**

**RoHS compliant**

**NOT APPROVED**

**FELLER** 

A-2525 Günselsdorf, Austria

Telefon 0043-2256-62325-0

Fax: 0043-2256-62325-7

email: [sales@feller-at.com](mailto:sales@feller-at.com)

<http://www.feller-at.com>