

Description: XVI-H05VVH2F2X075-C7W/1,80M SW9005 L37

Rating of cord set: 2,5A/250Vac

1. PLUG: Type XVI

Molded plug according to : EN50075
Rated current and voltage : 2,5A, 250 V AC
Plugbase : PA GFR
Constructions : double insulation
Pins : Brass, Nickel-plated, parts-sleeved
Pins outer diameter : 4 mm
Outer mold : PVC compound, hardness Shore A75-77
Approvals : ENEC

2. CORD: Type H05VVH2F2X0,75 mm²

Flexible cord according to : ÖVE K41a,HD 21.S2; AS3191
Marked : *JF*<ÖVE><HAR>H05VVH2F2X0,75*N1095*CE
*CCC 227 IEC 53 (RVV) 300/500V 2x0,75
Number of cores : 2
Conductor construction : 23x0,2 mm O.D. 1,10mm
Conductor insulation : Extruded PVC, O.D. 2,30mm
Jacket : Extruded PVC, 3,95 mm x 6,25mm +/-0,20mm
Electrical resistance of conductors : max.26 Ω/km
Dielectric strength : 2kV,1min
Insulation resistance : >0,010 MΩ/kmm
Color of conductors : brown, blue
Approvals : HARMONIZED,ÖVE

3. CONNECTOR: Type C7W

Molded connector according to : EN/IEC 60320/C7, UL 817, C22.2 No.21, JIS C8303
Rated current and voltage : 2,5 A, 250 V AC
Contacts of the connection : phosphor bronze CuSn6
Inner insulation : PPO GFR
Outer mold : PVC compound, hardness Shore A 75-77
Approvals : CE,ENEC

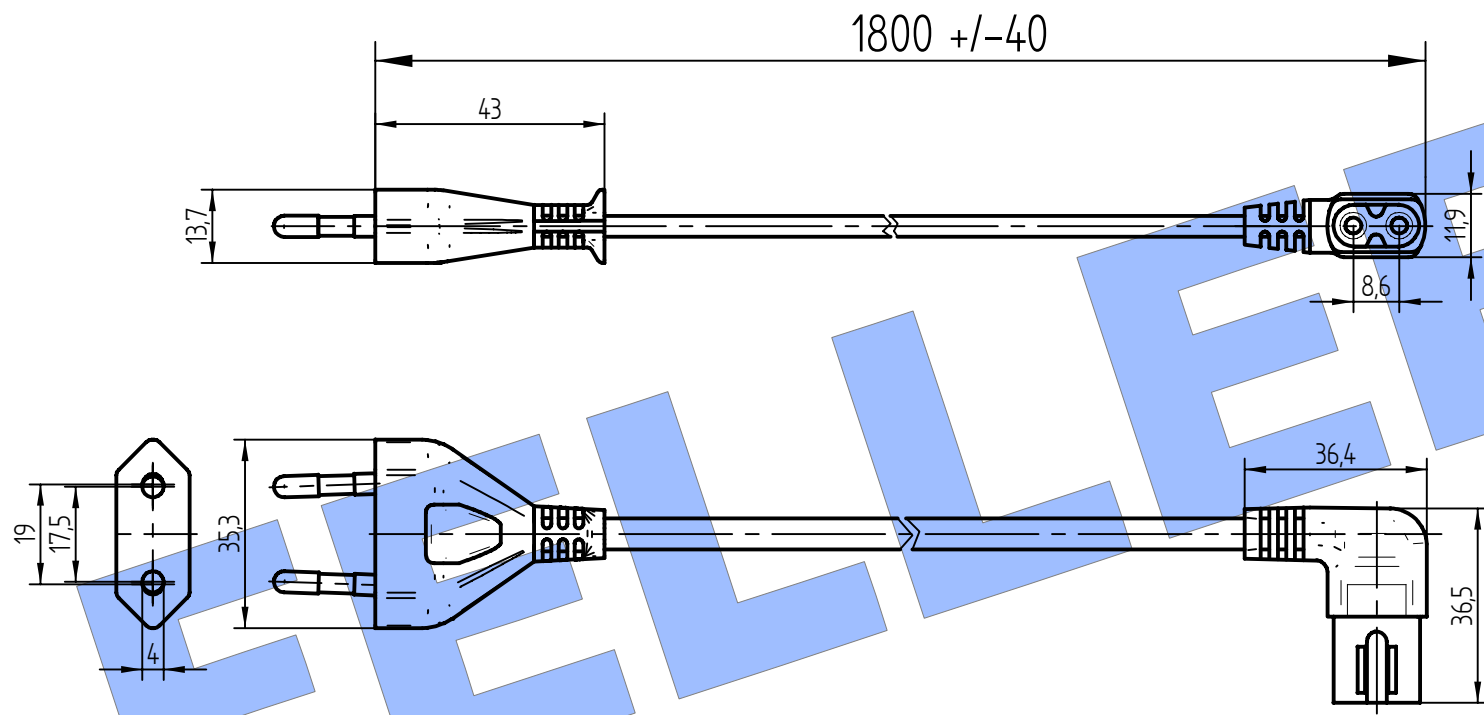
Environmental conformity : EU-Directive 2002/96/EC (WEEE)
: EU-Directive 2003/11/EC (Council Directive 76/769/EEC)
: EU-Directive 2002/95/EC (RoHS-compliance)

TESTING

Electrical testing : 100%
Visual inspection : 100%
High pot test wire to wire : 3kv for 2 sec.
Continuity test : 25A to grounding, 20A to line and neutral
Polarity test : yes
Skin high pot test : 6kv line to skin

Tolerances not indicated in the drawing: +/- 2 %
design subject to change without prior notice

DATE of ISSUE:	February, 2013
REV: 9 0	ORIG: 1g



1.
XVI

2.
H05VVH2F2X0,75

3.
C7W

Feller Type: XVI-H05VVH2F2X075-C7W/1,80M BLACK EGB

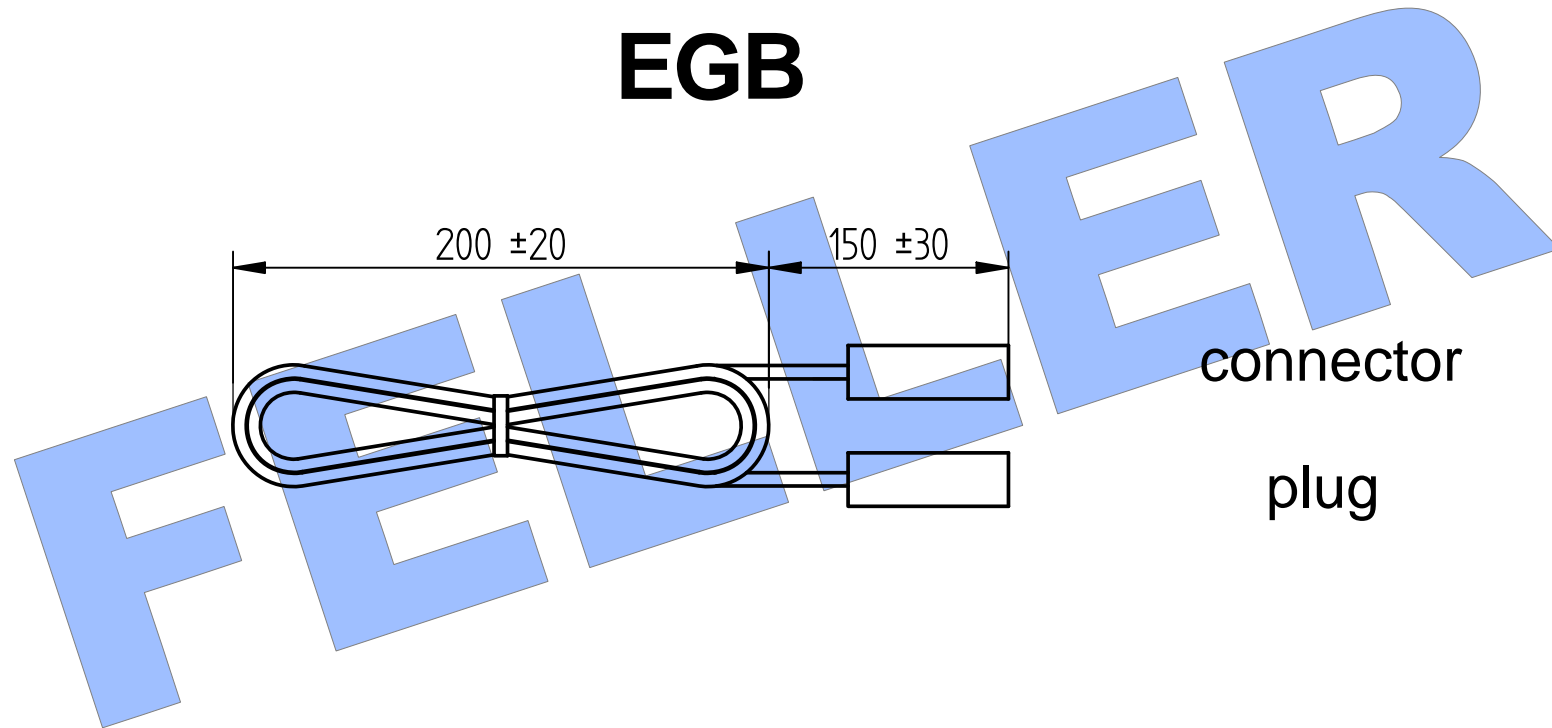
February, 2013

**All dimensions in mm
RoHS compliant**

FELLER 

A-2525 Günselsdorf, Austria
 Telefon 0043-2256-62325-0
 Fax:0043-2256-62325-7
 email: sales@feller-at.com
 http://www.feller-at.com

EGB



Feller Type: EGB

All dimensions in mm

21.05.10

RoHS compliant

FELLER 

A-2525 Günselsdorf, Austria

Telefon 0043-2256-62325-0

Fax:0043-2256-62325-7

email: sales@feller-at.com

<http://www.feller-at.com>