

FELLER GMBH

A-2525 GUENSELSDORF, AUSTRIA - TEL.: .. 43(2256) 62 32 50 - FAX: .. 43 (2256) 62 32 57
e-mail: sales@feller-at.com <http://www.feller-at.com>

Description: N1/15J-VCTFK2X0,75-C7/2,50m,black EGB

Rating of cord set: 7A/125V

1. PLUG: N1/15J

Molded plug according to : JIS C 8303
Rated current and voltage : 15A/125V AC
Plugbase : thermoplastic Polyester(PBTP) GFR
Pins : solid brass,nickel-plated,crimped
Outer mold : PVC compound, hardness Shore A75-77
Approvals : PSE (JET)

2. CORD: VCTFK2X0,75

Flexible cord according to : JISC 3306-1987
Marked : *PS>E*JET*JF*200x*VCTFK *-----
Number of cores : 2
Conductor construction : 30 x 0,18 mm O.D. 1,13mm
Conductor insulation : Extruded PVC, O.D. 2,30mm
Jacket : Extruded PVC, 4,30 mm x 6,60 +/-0,20mm
Electrical resistance of conductors : max. 25,10 Ohm/km
Dielectric strength : 2000 V
Approvals : PSE(JET)

3. CONNECTOR: C7

Molded connector according to : EN 60320/C7, UL 817
Rated current and voltage : 2,5A/250V AC
7A/125V AC (USA,CANADA,JAPAN)
Contacts of the connection : phosphor bronze CuSn6
Inner insulation : PPO GFR
Outer mold : PVC compound, hardness Shore A 75-77
Approvals : ENEC, SAA, UL, CSA, PSE(JET)

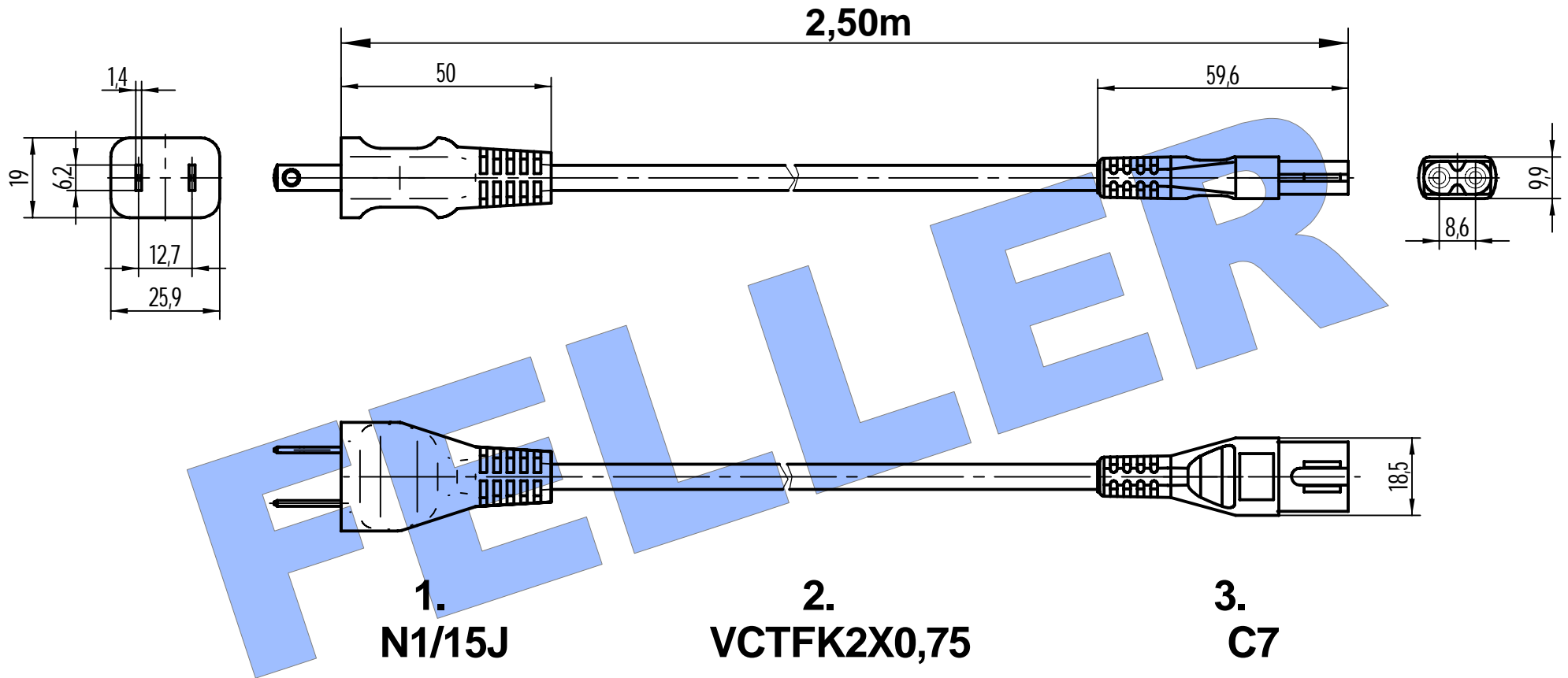
Environmental conformity : EU-Directive 2002/96/EC (WEEE)
: EU-Directive 2003/11/EC (Council Directive 76/769/EEC)
: EU-Directive 2002/95/EC (RoHS-compliance)

TESTING

Electrical testing : 100%
Visual inspection : 100%
High pot test wire to wire : 3 kv for 2 sec.
Continuity test : 25A to grounding, 20A to line and neutral
Polarity test : yes
Skin high pot test : 6kv line to skin

Tolerances not indicated in the drawing: +/- 2 %
design subject to change without prior notice

Date of issue:	Dec. 2005
Rev:	Orig: ba



Feller Type: N1/15J-VCTFK2X0,75-C7/2,50m, black EGB

Sept.2003

All dimensions in mm

FELLER 

A-2525 Günselsdorf, Austria

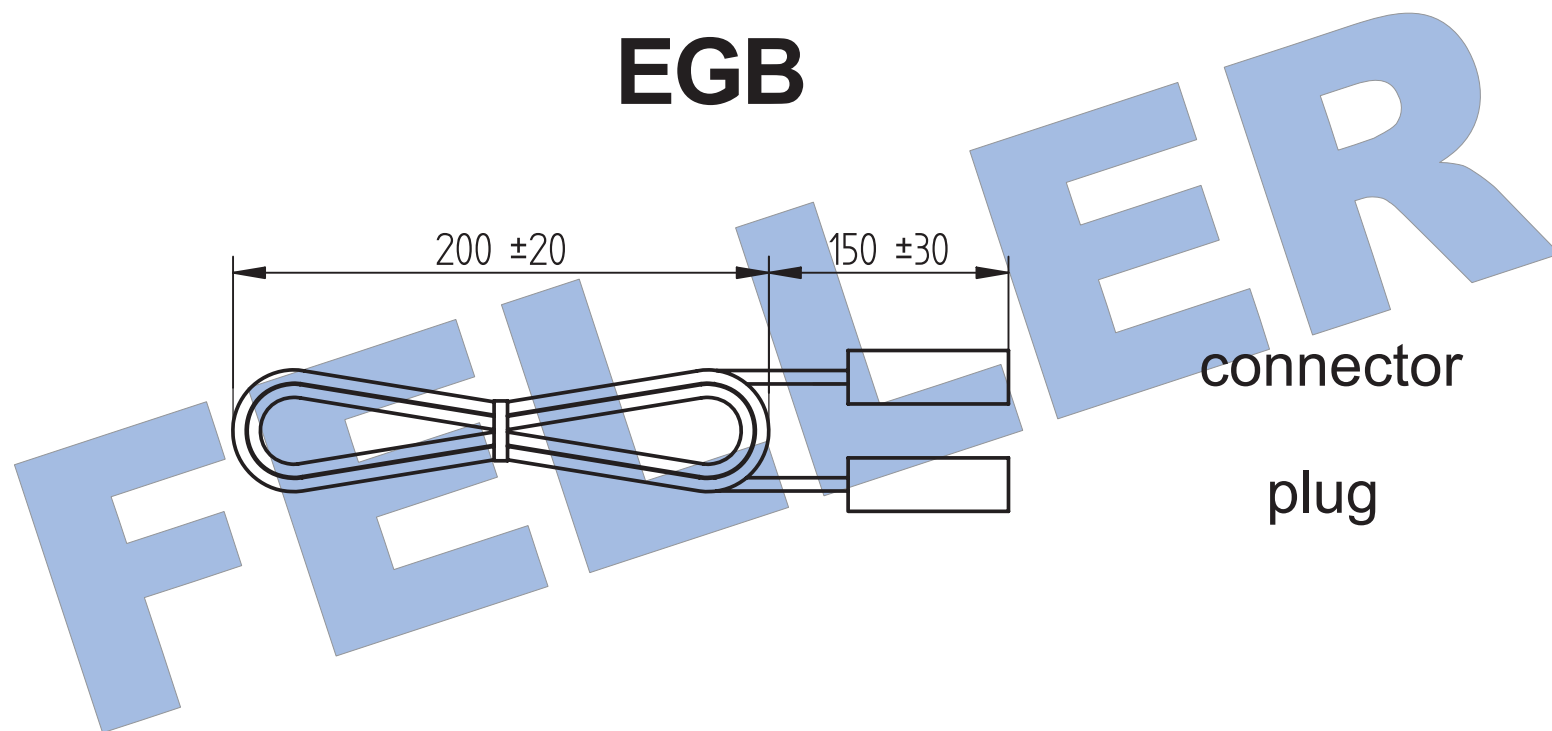
Telefon 0043-2256-62325-0

Fax:0043-2256-62325-7

email: sales@feller-at.com

http://www.feller-at.com

EGB



connector

plug

Feller Type: EGB

All dimensions in mm

21.05.10

AR

RoHS compliant

FELLER 

A-2525 Günselsdorf, Austria

Telefon 0043-2256-62325-0

Fax:0043-2256-62325-7

email: sales@feller-at.com

<http://www.feller-at.com>