

FELLER GMBH

A-2525 GUENSELSDORF, AUSTRIA - TEL.: .. 43(2256) 62 32 50 - FAX: .. 43 (2256) 62 32 57
e-mail: sales@feller-at.com <http://www.feller-at.com>

Description: VIIG-H05Z1Z1F3G100-C13/2,50M SW9005

(L91)

Rating of cord set: 10A/250Vac

1. PLUG: Type VIIG (HALOGENFREE)

Molded plug according to : CEE (7) VII, IEC60884
Rated current and voltage : 16A, 250 V AC
Plugbase : thermoplastic Polyester (PBTP) GFR
Construction : double insulated
Pins : brass, nickel-plated, crimped
Pins outer diameter : 4,8 mm
Outer mold : TPE-S, hardness Shore A 78-82
Approvals : ÖVE

2. CORD: Type H05Z1Z1F3G1,00 mm² (HALOGENFREE) BLACK

Flexible cord according to : HD21.14 S1, ÖVE E8241-14
Marked : *JF*<ÖVE><HAR>H05Z1Z1F3G1,0mm2*HFFR*CE OR
xxx<VDE>*<HAR>*H05Z1Z1-F HFFR
Number of cores : 3
Conductor construction : 23 X 0,20 mm O.D. 1,10 mm
Conductor insulation : Extruded TPE TI6, O.D. 2,40 mm +/- 0,05mm
Jacket : Extruded TPE TM7, O.D. 6,80 mm +/- 0,20mm
Resistance of conductors : max. 26 Ω/km
Dielectric strength : 2kVac, 1min.
Insulation resistance : >0,010MΩ/km
Color of conductors : yellow/green, brown, blue
Approvals : HARMONIZED, ÖVE (VDE)

3. CONNECTOR: Type C13 (HALOGENFREE)

Molded connector acc. to : EN/IEC 60320/C13
Rated current and voltage : 10 A, 250 V AC
Construction : double insulation
Contacts of the connection : self-adjusting phosphor bronze CuSn6
Inner insulation : PPO GFR
Outer mold : TPE-S, hardness Shore A 78-82
Approvals : CE, ENEC

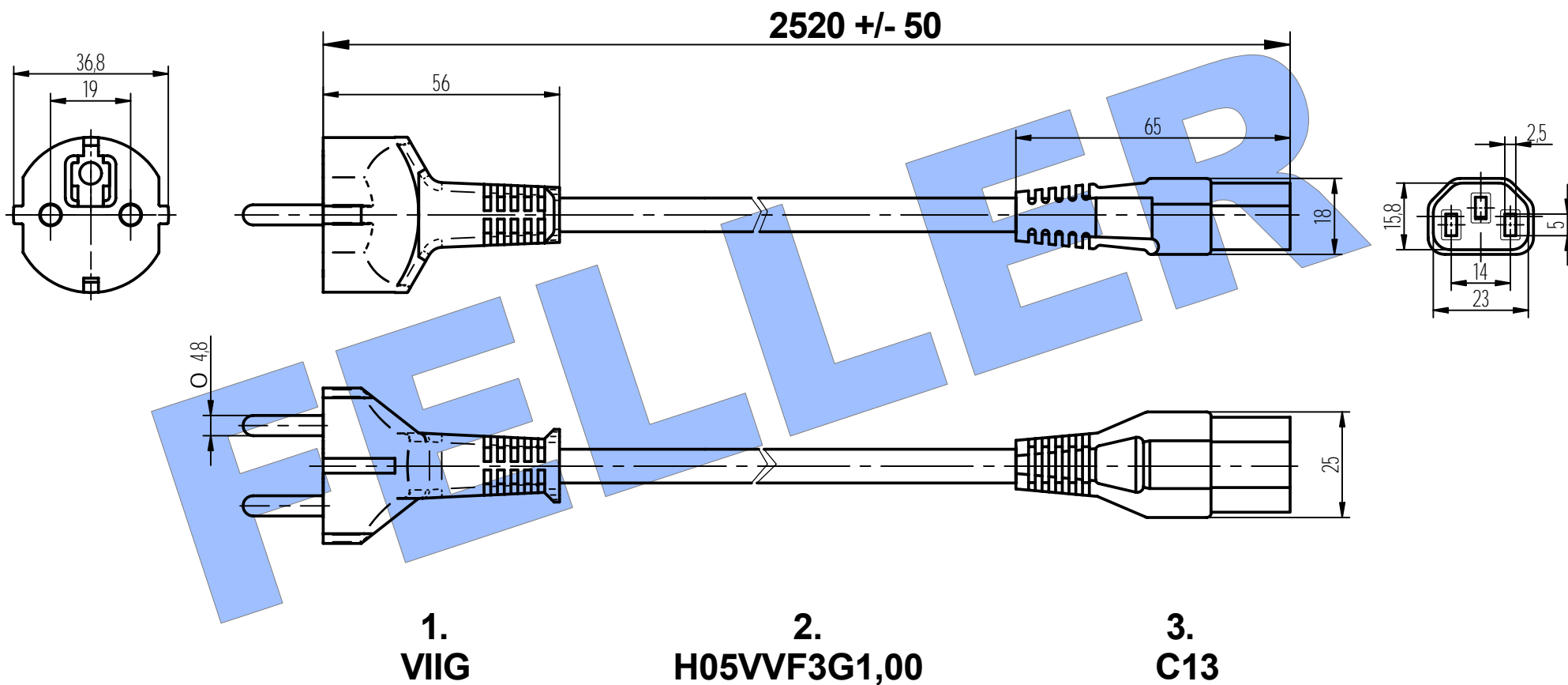
Environmental conformity : EU-Directive 2012/19/EU (WEEE)
EU-Directive 2011/65/EU
EU-Directive 1907/2006 EG (REACH -compliant)

TESTING

Electrical testing : 100%
Visual inspection : 100%
High pot test wire to wire : 3kVac for 2 sec.
Continuity test : 25Aac to grounding / 20Aac to line and neutral
Polarity test : yes
Skin high pot test : 6kVac line to skin

design subject to change without prior notice, except written agreements with customer

DATE of ISSUE:	November, 2017		
REV: 1	1	ORIG:	DG



Feller Type: VIIG-H05Z1Z1F3G100-C13/2,50M SW9005 (L91)

FELLER 

A-2525 Günselsdorf, Austria
 Telefon 0043-2256-62325-0
 Fax: 0043-2256-62325-7
 email: sales@feller-at.com
 http://www.feller-at.com

RoHS compliant

23.11.2017 | DG

All dimensions in mm