



1. **PLUG** : Type BS13/13

Molded plug according to	: BS 1363/A SS145
Rated current and voltage	: 13A, 250 V AC with replaceable fuse 13A
Plug base	: thermoplastic Polyester (PBTP) GFR
Construction	: double insulated, contacts crimped
Pins	: line & neutral : solid brass, nickel-plated, part-insulated grounding : solid brass, nickel-plated
Pin dimensions	: line & neutral 6,35 mm x 4,00 mm grounding 7,90 mm x 4,00 mm:
Outer mold	: PVC compound, hardness Shore A75-77
Approvals	: ASTA, Singapore safety mark, SASO rest report

2. **CORD** : Type H05VVF3G1,00mm² **BLACK SW9005**

Flexible cord according to	: EN 50525-1, EN 50525-2-11, EN 50395, EN 50396, AS 3191
Marked	: *JF*< ÖVE><HAR>H05VVF3G1,0mm2*N1095*CE*CCC 60227 IEC 53(RVV) 300/500V 3X1,00mm2*KTL SW01001-2001*SNI MARK*
Number of cores	: 3
Conductor construction	: 31x0,20 mm O.D. 1,25mm
Conductor insulation	: Extruded PVC O.D. 2,40mm +/-0,05mm
Jacket	: Extruded PVC O.D. 6,80mm +/- 0,20mm
Temperature rating	: -20°C up to +70°C
Resistance of conductors	: max. 19,5 Ω/km
Dielectric strength	: 2kVac, 1min
Insulation resistance	: > 0,010MΩ/km
Color of conductors	: yellow/green, brown, blue
Approvals	: HARMONIZED,SAA,ÖVE,CCC,KTL,SNI

3. **CONNECTOR** : Type C13

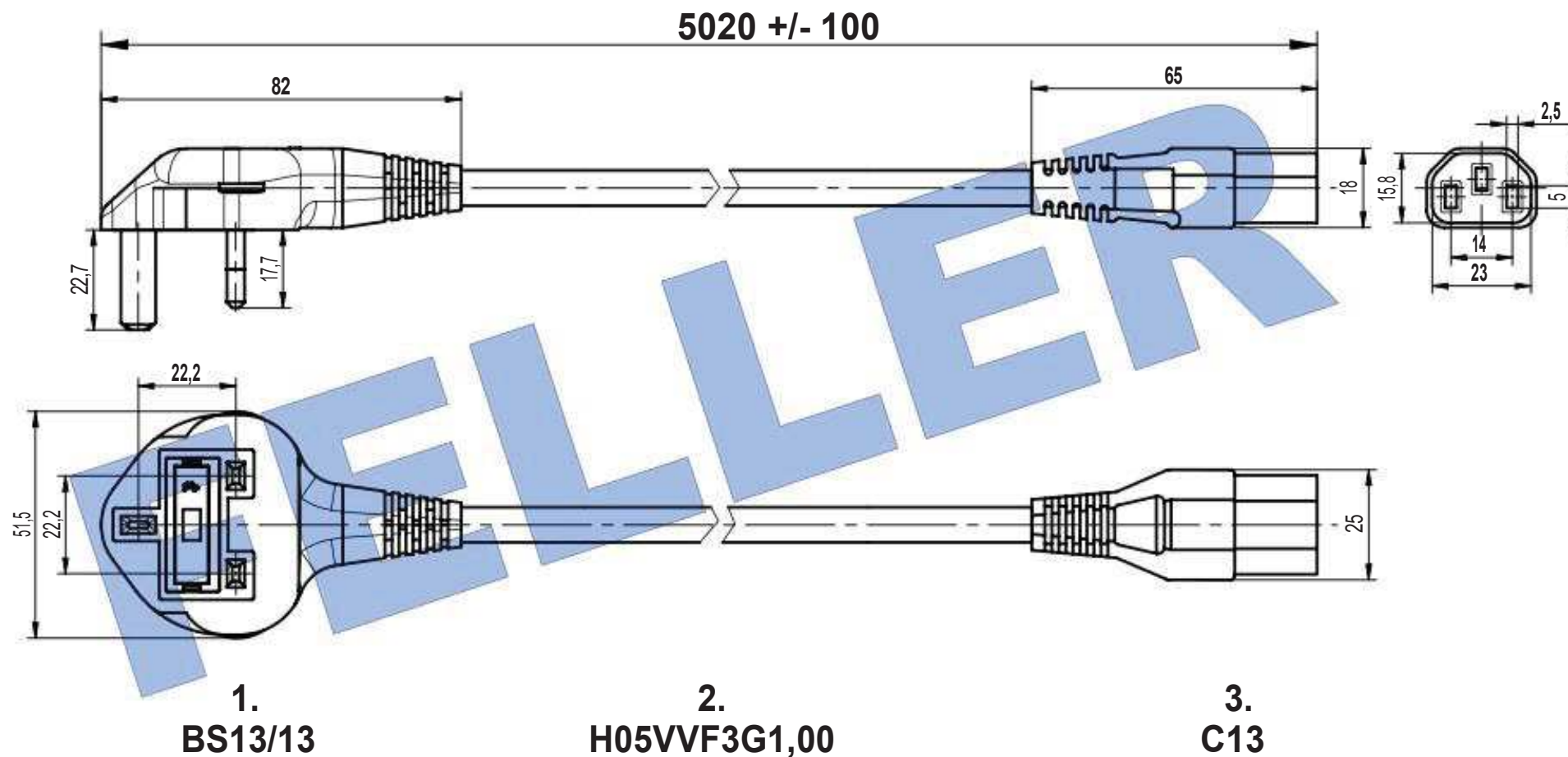
Molded connector according to	: EN/IEC60320/C13, GB1 7465.1
Rated current and voltage	: 10 A, 250 V
Construction	: double insulation,
Contacts of the connection	: self-adjusting phosphor bronze CuSn6
Inner insulation	: PPO GFR
Outer mold	: PVC compound, hardness Shore A 75-77
Approvals	: CE,ENEC,EAC,KTL

ENVIRONMENTAL CONFORMITY

EU-Directive 2012/19/EU (WEEE)
EU-Directive 2011/65/EU
EU-Directive 1907/2006 EG (REACH -compliant)

TESTING

Electrical testing : 100%	High pot test wire to wire: 3kVac for 2 sec
Visual inspection : 100%	Continuity : 25Aac to grounding /20Aac to line and neutral
Polarity test : yes	Skin high pot test : 6kVac line to skin



Type : (L232) BS13/13-H05VVF3G1,00-C13 / 5,00m Black



RoHS compliant



All dimensions in mm

COMAREL 

Tel : (33) 1 34 13 72 80
 mail : info@comarel.fr
 site : www.comarel.fr