

### **PLUG : BS13/KS**

Molded plug according to	: BS 1363/A SS145
Rated current and voltage	: 3A, 250 V AC with replaceable fuse 3A
Plug base	: thermoplastic polyester PBT GFR
Construction	: double insulation, contacts crimped
Pins	: line & neutral : solid brass, nickel-plated, parts insulated, crimped grounding : Polypropylen PP
Pin dimensions	: line & neutral 6,35 mm x 4,00mm grounding 7,90mm x 4,00mm
Outer mold	: PVC compound, hardness Shore A75-77
Approvals	: ASTA, SINGAPORE safety mark, SASO test report

### **CORD : Type H03VVH2F2x0,75 mm2**

### **BLACK SW9005**

Flexible cord according to	: OVE K41a, HD 21.52, AS3191
Marked	: *JF*<OVE><HAR>H03VVH2F2x0,75*N1095*CE
Number of cores	: 2
Conductor construction	: 23x0,20 mm O.D. 1,10 mm
Conductor insulation	: Extruded PVC O.D. 2,10 mm +/-0,05 mm
Jacket	: Extruded PVC O.D. 3,30x5,40 mm +/- 0,20 mm
Resistance of conductors	: max. 22,37Ω/km
Dielectric strength	: 2kVac, 1min
Insulation resistance	: >0,010 MΩ/km
Color of conductors	: brown, blue
Approvals	: HARMONIZED, OVE

### **CONNECTOR : Type C7**

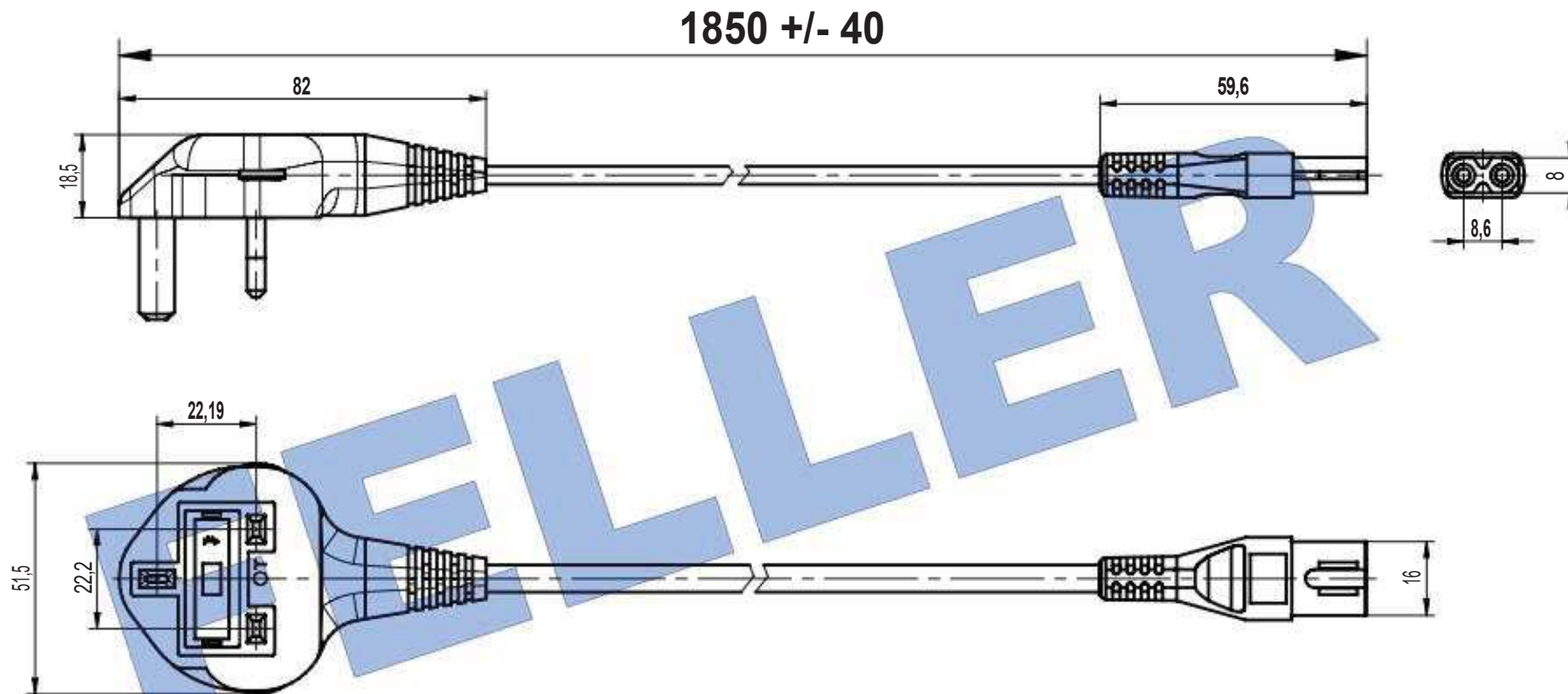
Molded connector according to	: EN/IEC60320/C7, AS 3109.1
Rated current and voltage	: 2,5A , 250 VAC
Construction	: double insulation
Contacts of the connection	: phosphor bronze CuSn6, crimped
inner insulation	: PPO GFR
Outer mold	: PVC compound, hardness Shore A 75-77
Approvals	: CE, ENEC, SAA

### **ENVIRONMENTAL CONFORMITY**

EU-Directive 2002/96/EU (WEEE)  
EU-Directive 2011/65/EU  
EU-Directive 1907/2006 EG (REACH -compliant)

### **TESTING**

Electrical testing : 100%	High pot test wire to wire: 3kVac for 2 sec
Visual inspection : 100%	Skin high pot test : 6kVac line to skin
Polarity test : yes	



1.  
BS13/3KS

2.  
H03VVH2F2X0,75

3.  
C7

Type : (L31AKS) BS13/3KS-H03VVH2F2X075-C7/1,80m Black


All dimensions in mm  
RoHs compliant

**COMAREL** 

Tel : (33) 1 34 13 72 80  
mail : [info@comarel.fr](mailto:info@comarel.fr)  
site : [www.comarel.fr](http://www.comarel.fr)