**PLUG : BS13/KS**

Molded plug according to	: BS 1363/A SS145
Rated current and voltage	: 3A, 250 V AC with replaceable fuse 3A
Plug base	: thermoplastic polyester PBT GFR
Construction	: double insulation, contacts crimped
Pins	: line & neutral : solid brass, nickel-plated, parts insulated, crimped grounding : Polypropylen PP
Pin dimensions	: line & neutral 6,35 mm x 4,00mm grounding 7,90mm x 4,00mm
Outer mold	: PVC compound, hardness Shore A75-77
Approvals	: ASTA, SINGAPORE safety mark, SASO test report

CORD : Type H05VVH2F2x0,75 mm2**BLACK SW9005**

Flexible cord according to	: EN50525-1, EN525-2-11, EN50395, EN50396 AS3191
Marked	: *JF*<OVE><HAR>H05VVH2F2x0,75*N1095*CE *CCC 227 IEC53* (RVV) 300/500V 2x0,75mm2
Number of cores	: 2
Conductor construction	: 23x0,20 mm O.D. 1,10 mm
Conductor insulation	: Extruded PVC O.D. 2,30 mm +/-0,05 mm
Jacket	: Extruded PVC O.D. 3,95x6,25 mm +/- 0,20 mm
Resistance of conductors	: max. 26 Ω/km
Dielectric strength	: 2kVac, 1min
Insulation resistance	: >0,010 MΩ/km
Color of conductors	: brown, blue
Approvals	: HARMONIZED,OVE

CONNECTOR : Type C7

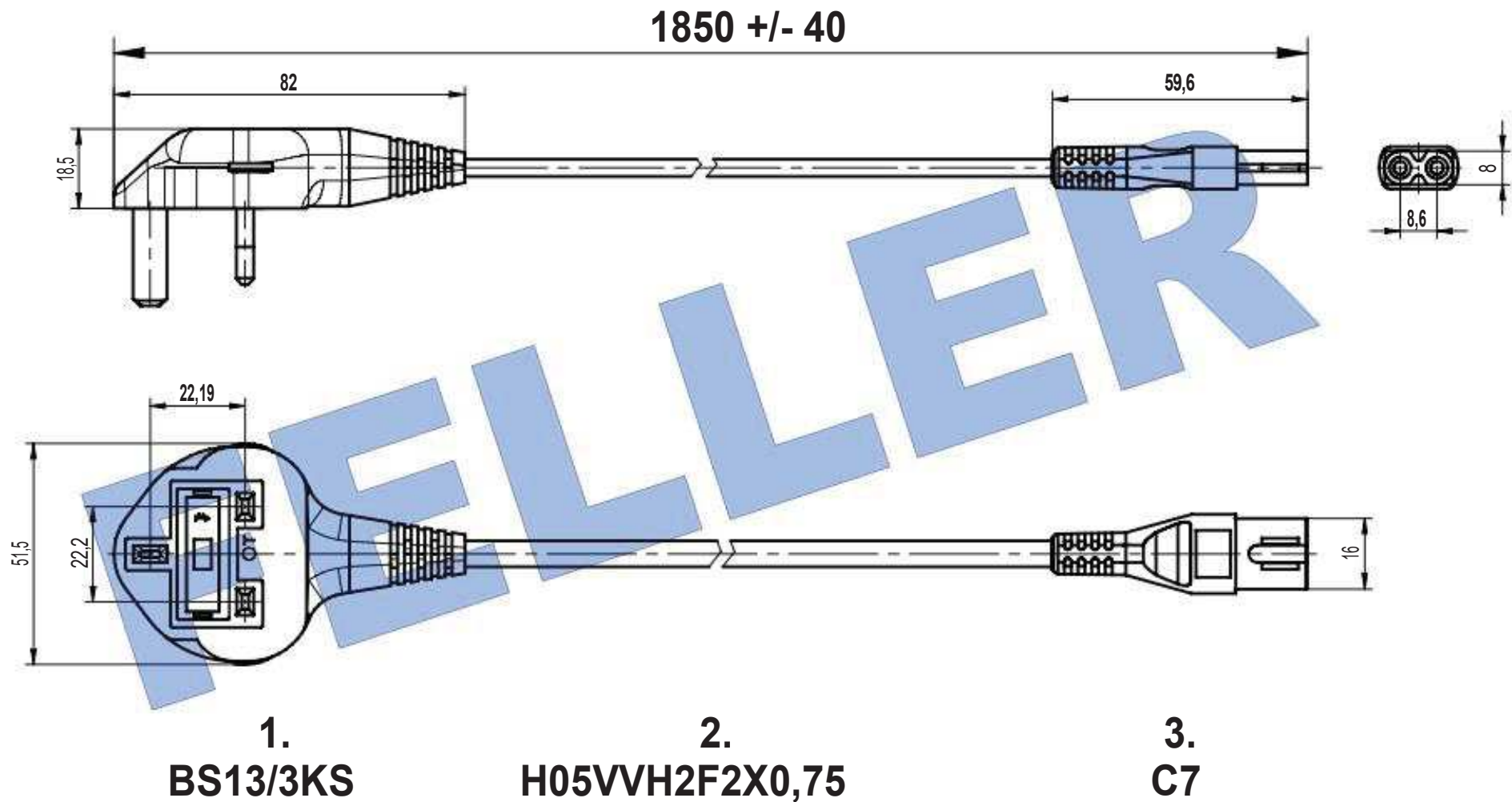
Molded connector according to	: EN/IEC60320/C7, AS 3109.1
Rated current and voltage	: 2,5A , 250 VAC
Construction	: double insulation
Contacts of the connection	: phosphor bronze CuSn6, crimped
inner insulation	: PPO GFR
Outer mold	: PVC compound, hardness Shore A 75-77
Approvals	: CE,ENEC, SAA

ENVIRONMENTAL CONFORMITY

EU-Directive 2002/96/EU (WEEE)
EU-Directive 2011/65/EU
EU-Directive 1907/2006 EG (REACH -compliant)

TESTING

Electrical testing : 100%	High pot test wire to wire: 3kVac for 2 sec
Visual inspection : 100%	Skin high pot test : 6kVac line to skin
Polarity test : yes	



Type : (L31A)) BS13/3KS-H05VVH2F2X075-C7/1,80m Black

All dimensions in mm
RoHs compliant

COMAREL 

Tel : (33) 1 34 13 72 80
mail : info@comarel.fr
site : www.comarel.fr