

1. **PLUG** : PRC/2

Molded plug according to	: GB2099, GB1002
Rated current and voltage	: 10A, 250 V AC
Plug base	: PPO GFR
Pins	: solid brass, nickel-plated, crimped
Pins dimension	: 6,20 mm x 1,40mm
Outer mold	: PVC compound, hardness Shore A75-77
Approvals	: CCC

2. **CORD** : Type H05VVH2F2x0,75 mm2

BLACK

Flexible cord according to	: EN50525-1, EN50525-2-11, EN50395, EN50396, AS3191
Marked	: *JF*<OVE><HAR>H05VVH2x0,75*N1095*CE CCC 60227 IEC 53 (RVV) 300/500v 2x0,75mm2
Number of cores	: 2
Conductor construction	: 23x0,20 mm O.D. 1,10 mm
Conductor insulation	: Extruded PVC O.D. 2,30 mm +/-0,05 mm
Jacket	: Extruded PVC O.D. 3,95x6,,25 mm +/- 0,20 mm
Resistance of conductors	: max. 26 Ω/km
Dielectric strength	: 2kVac, 1min
Insulation resistance	: >0,010 MΩ/km
Color of conductors	: brown, blue
Approvals	: HARMONIZED,OVE,SAA, CCC

3. **CONNECTOR** : Type C7

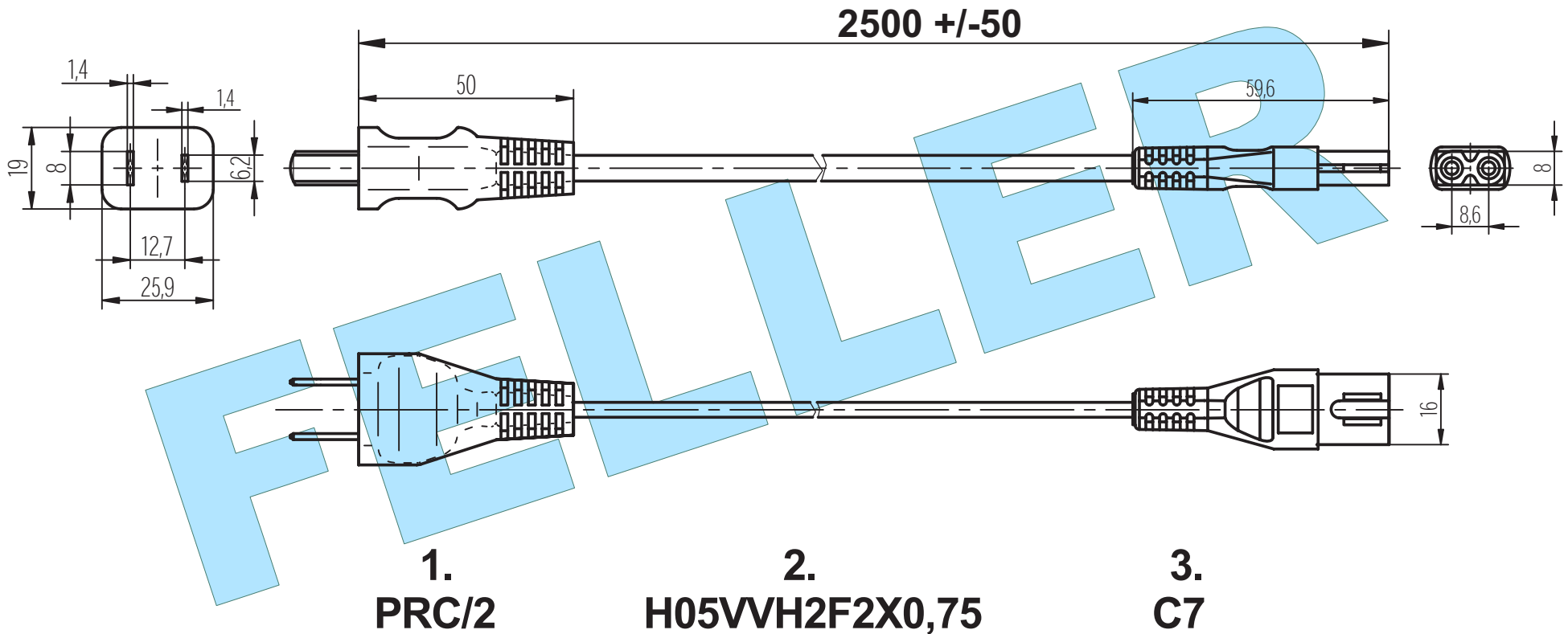
Molded connector according to	: EN/IEC60320/C7? As 3109.1
Rated current and voltage	: 2,5A , 250 VAC
Construction	: double insulation
Contacts of the connection	: phosphor bronze CuSn6, crimped
inner insulation	: PPO GFR
Outer mold	: PVC compound, hardness Shore A 75-77
Approvals	: CE ,ENEC, SAA, CCC

ENVIRONMENTAL CONFORMITY

EU-Directive 2002/96/EU (WEEE)
EU-Directive 2011/65/EU
EU-Directive 1907/2006 EG (REACH -compliant)

TESTING

Electrical testing : 100%	High pot test wire to wire: 3kVac for 2 sec
Visual inspection : 100%	Skin high pot test : 6kVac line to skin
Polarity test : yes	Continuity test : 25A to grounding, 20A to line and neutral



Feller Type: PRC/2-H05VVH2F2X075-C7/2,5M BLACK EGB

FELLER 

A-2525 Günselsdorf, Austria

Telefon 0043-2256-62325-0

Fax: 0043-2256-62325-7

email: sales@feller-at.com

<http://www.feller-at.com>

All dimensions in mm

04.04.2011

RoHS compliant