



### 1. **PLUG** : Type PRC/3/16

Molded plug according to	: GB2099, GB1002
Rated current and voltage	: 16A, 250 V AC
Plug base	: PPO GFR
Pins	: solid brass, nickel-plated, crimped
Pins outer diameter	: 8,10 mm x 1,80 mm
Outer mold	: PVC compound, hardness Shore A75-77
Approvals	: CCC

### 2. **CORD** : Type H05VVF3G1,50mm<sup>2</sup>      **BLACK SW9005**

Flexible cord according to	: OVE K41a; EN 50525; AS 3191: IEC 60227
Marked	: *JF* < ÖVE > < HAR > H05VVF3G1,50mm <sup>2</sup> *N1095*CE*CCC 60227 IEC 53(RVV) 300/500V 3X1,00mm <sup>2</sup> *KTL SW01001-2001A
Number of cores	: 3
Conductor construction	: 29x0,45 mm O.D. 1,52mm
Conductor insulation	: Extruded PVC O.D. 2,90mm +/-0,06mm
Jacket	: Extruded PVC O.D. 8,20mm +/- 0,20mm
Temperature rating	: -20°C up to +70°C
Resistance of conductors	: max. 13,3 Ω/km
Dielectric strength	: 2kVac, 1min
Insulation resistance	: > 0,010MΩ/km
Color of conductors	: yellow/green, brown, blue
Approvals	: HARMONIZED, ÖVE, CCC

### 3. **CONNECTOR** : Type C19

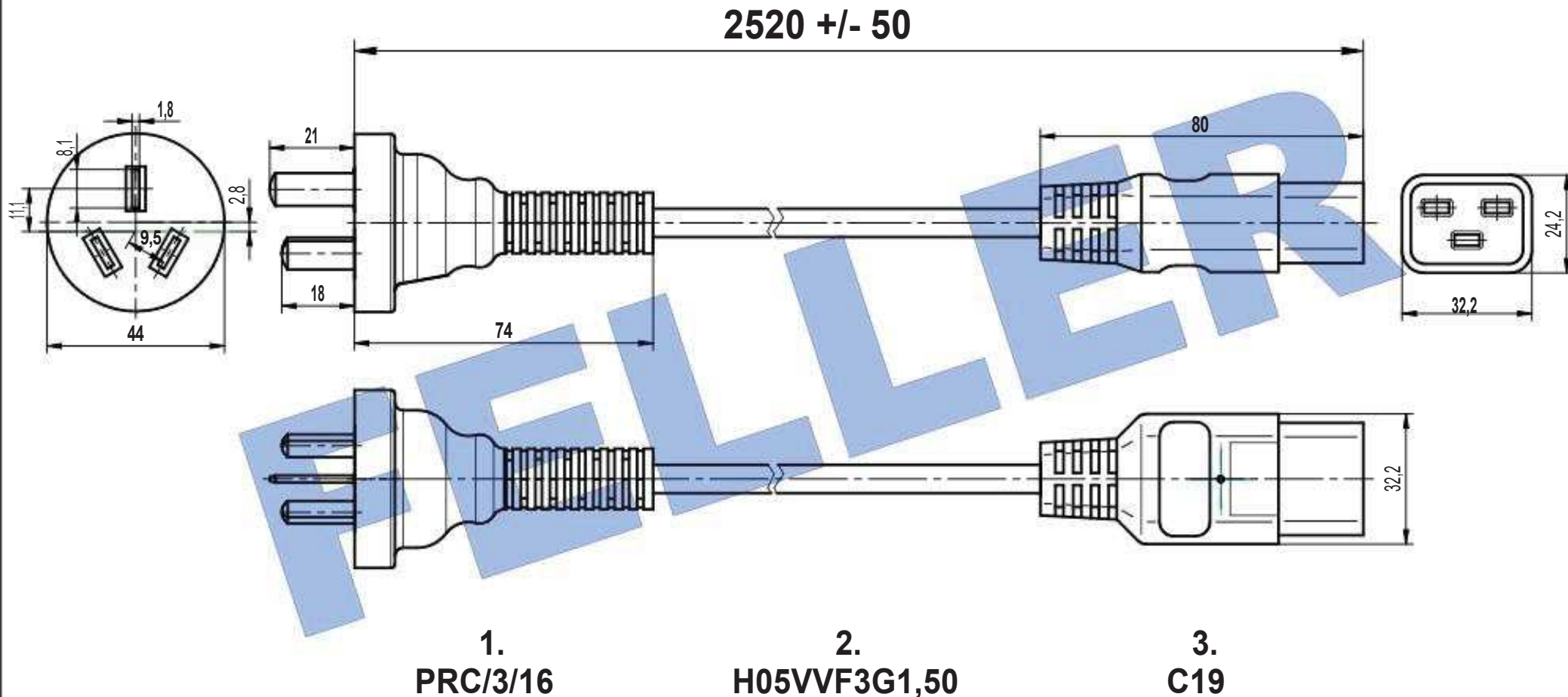
Molded connector according to	: EN/IEC60320/C19, K60320-1
Rated current and voltage	: 16 A, 250 V
Construction	: double insulation, contacts crimped
Contacts of the connection	: self-adjusting phosphor bronze CuSn6
Inner insulation	: PPO GFR
Outer mold	: PVC compound, hardness Shore A 75-77
Approvals	: CE, ENEC, CCC

### **ENVIRONMENTAL CONFORMITY**

EU-Directive 2012/19/EU (WEEE)  
EU-Directive 2011/65/EU  
EU-Directive 1907/2006 EG (REACH –compliant)

### **TESTING**

Electrical testing : 100%	High pot test wire to wire: 3kVac for 2 sec
Visual inspection : 100%	Continuity : 25Aac to grounding /20Aac to line and neutral
Polarity test : yes	Skin high pot test : 6kVac line to skin



Type : (L471) PRC/3/16-H05VVF3G150-C19/2,50m Black

All dimensions in mm

RoHS compliant

**COMAREL** 

Tel : (33)1 31 13 72 80  
 mail : [info@comarel.fr](mailto:info@comarel.fr)  
 site : [www.comarel.fr](http://www.comarel.fr)