

**1. PLUG : Type PRC/3+1309**

Molded plug according to	: GB22099, GB1002
Rated current and voltage	: 10A, 250 V AC
Plug base	: PPO GFR
Pins	: solid brass, nickel-plated, crimped
Pins dimension	: 6,40 mm x 1,50 mm
Mechanical fixation	: iron wire ZN plated D1,00
Outer mold	: PVC compound, hardness Shore A75-77
Approvals	: CCCI

**2. CORD : Type IEC53(YZ)3x1,00      BLACK**

Flexible cord according to	: 60245IEC53
Marked	: *manufacturer*testhouse <CCC> 60245IEC53(YZ) 3x1,0mm2 300/500V
Number of cores	: 3
Conductor construction	: 32x0,20 mm Outer Diameter O.D. 1,25mm
Conductor insulation	: Rubber, Outer Diameter O.D. 2,40mm +/-0,05mm
Jacket	: Rubber, O.D.7,00mm +/- 0,30mm
Resistance of conductors	: max. 20 Ω/km
Dielectric strength	: 2kVac, 1min
Insulation resistance	: > 0,010MΩ/km
Color of conductors	: yellow/green, brown, blue
Approvals	: CCC

**3. CONNECTOR : Type C15M+0319**

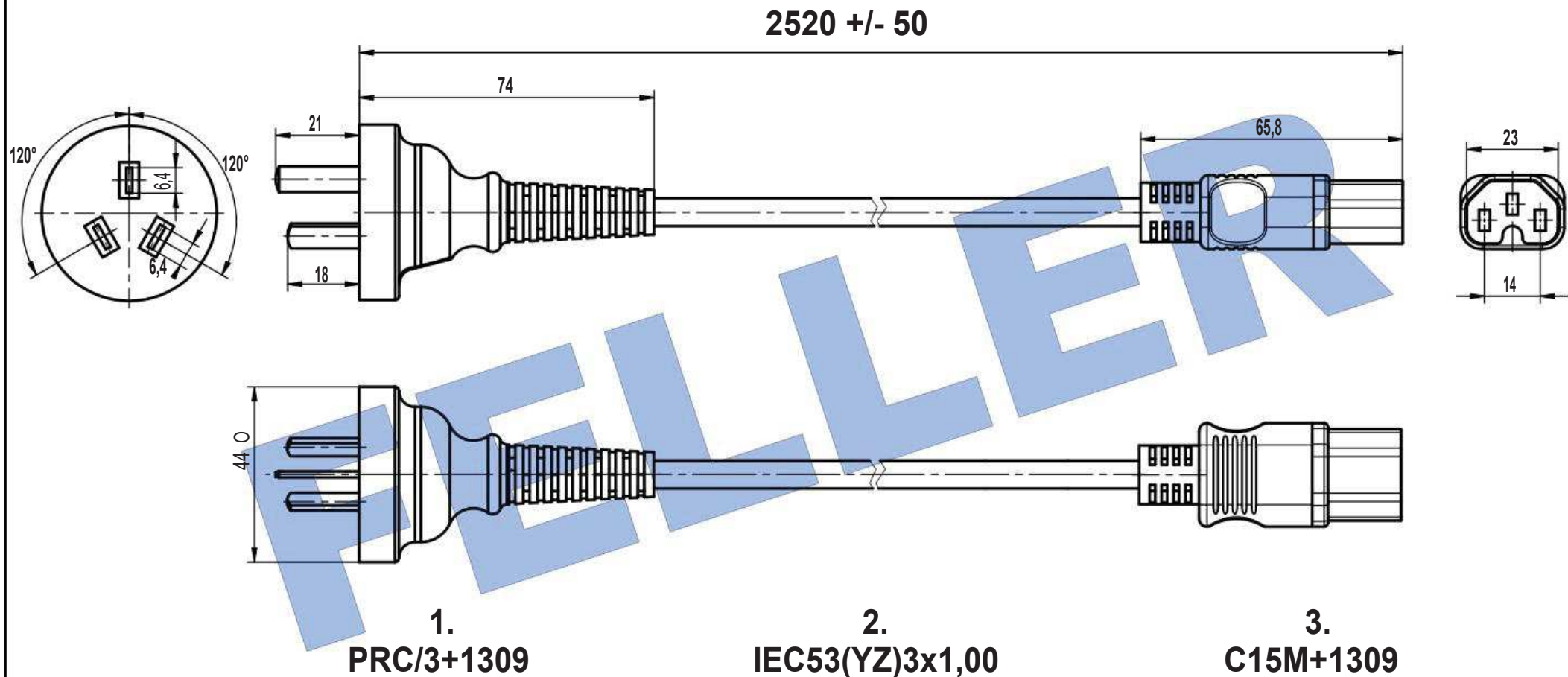
Molded connector according to	: EN/IEC60320/C15
Rated current and voltage	: 10 A, 250 Vac
Construction	: double insulation
Contacts of the connection	: self-adjusting phosphor bronze CuSn6
Inner insulation	: housing, PBTP GFR
Max. pin temperature	: 120° C
Mechanical fixation	: iron wire ZN plated D1,00
Outer mold	: PVC compound, hardness Shore A 75-77
Approvals	: CE,ENEC

**ENVIRONMENTAL CONFORMITY**

EU-Directive 2012/19/EU (WEEE)  
 EU-Directive 2011/65/EU  
 EU-Directive 1907/2006 EG (REACH -compliant)

**TESTING**

Electrical testing : 100%	High pot test wire to wire: 3kVac for 2 sec
Visual inspection : 100%	Continuity : 25Aac to grounding /20Aac to line and neutral
Polarity test : yes	Skin high pot test : 6kVac line to skin



Type : (L97A) PRC/3+1309-IEC53(YZ)3X100-C15M+1309/2,50m Black



All dimensions in mm



RoHS compliant

**COMAREL** 

Tel : (33) 1 34 13 72 80  
 mail : [info@comarel.fr](mailto:info@comarel.fr)  
 site : [www.comarel.fr](http://www.comarel.fr)