

1. **PLUG** : Type BS13/5

Molded plug according to	: BS 1363/A SS145
Rated current and voltage	: 5A, 250 V AC with replaceable fuse 5A
Plug base	: thermoplastic Polyester (PBTP) GFR
Pins	: Line & neutral : solid brass ,double insulated : Grounding : solid brass, nickel-plated
Pins dimensions	: Line & neutral 6,3 mm x 4,00mm, Grounding 7,90mmx4,00mm
Construction	: Double insulation
Outer mold	: PVC compound, hardness Shore A75-77
Approvals	: ASTA, PSB, verification SS145

2. **CORD** : Type H05VVF3G0,75mm² BLACK SW9005

Flexible cord according to	: EN 50525-1, EN 50525-2-11, EN 50395, EN 30396, AS 3191
Marked	: *JF* < ÖVE > < HAR > H05VVF3G0,75mm ² *N1095* CE *CCC 227 IEC 53(RVV) 300/500V 3X0,75mm ² *KTL SW01001-2001*
Number of cores	: 3
Conductor construction	: 23x0,20 mm O.D. 1,10mm
Conductor insulation	: Extruded PVC O.D. 2,30mm +/- 0,05mm
Jacket	: Extruded PVC O.D. 6,60mm +/- 0,20mm
Temperature rating	: -20°C up to +70°C
Resistance of conductors	: max. 26 Ω/km
Dielectric strength	: 2kVac, 1min
Insulation resistance	: 500Vdc > 50MΩ/km
Color of conductors	: yellow/green, brown, blue
Approvals	: HARMONIZED, SAA, ÖVE, CCC, KTL

3. **CONNECTOR** : Type C5

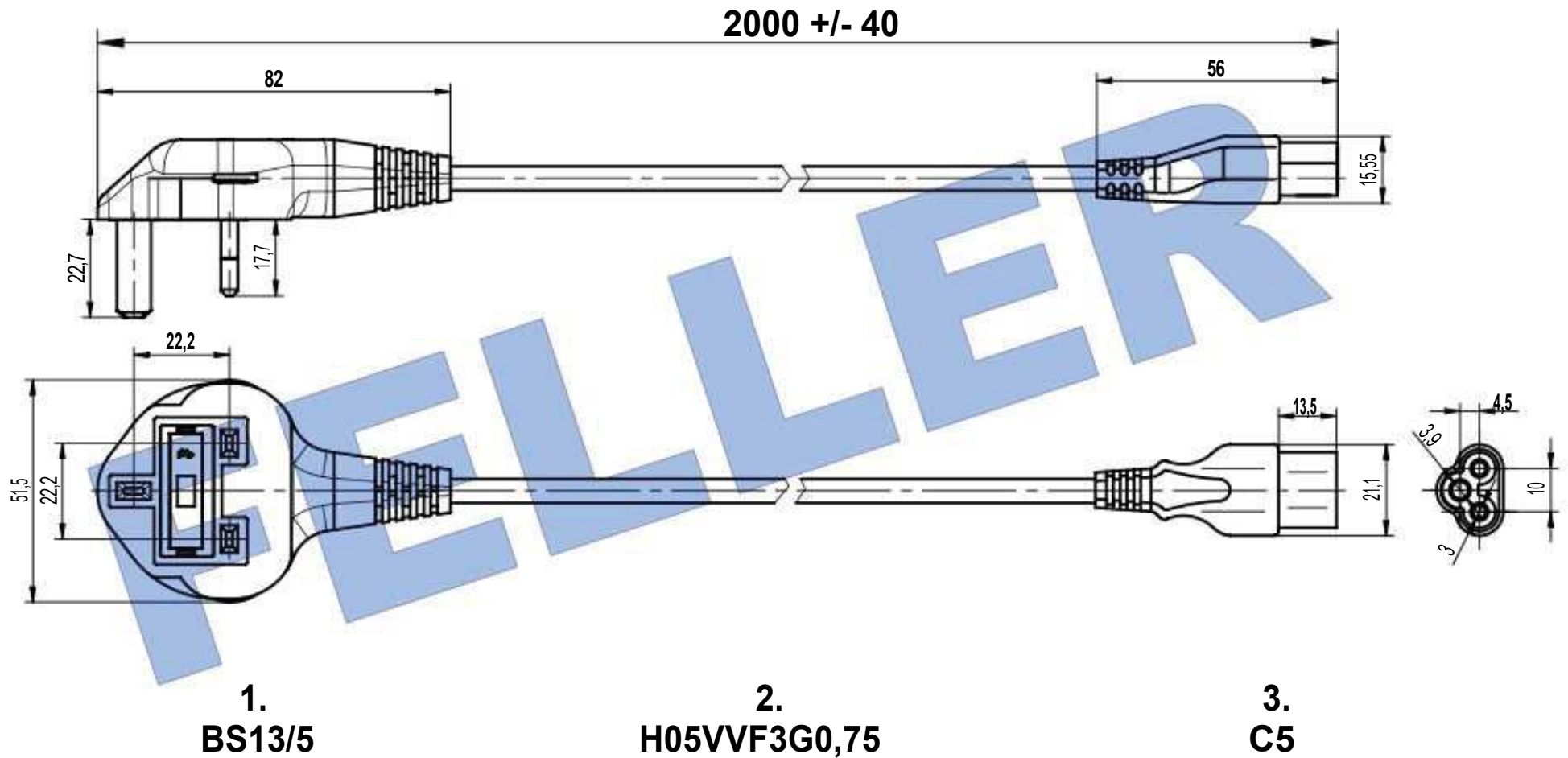
Molded connector according to	: EN/IEC60320/C5
Rated current and voltage	: 2,5A, 250 V
Construction	: double insulation, contacts crimped
Contacts of the connection	: phosphor bronze CuSn6
Inner insulation	: PPO GFR
Outer mold	: PVC compound, hardness Shore A 75-77
Approvals	: CE, ENEC

ENVIRONMENTAL CONFORMITY

EU-Directive 2012/19/EU (WEEE)
EU-Directive 2011/65/EU
EU-Directive 1907/2006 EG (REACH -compliant)

TESTING

Electrical testing : 100%	High pot test wire to wire: 3kVac for 2 sec
Visual inspection : 100%	Continuity : 25Aac to grounding /20Aac to line and neutral
Polarity test : yes	Skin high pot test : 6kVac line to skin



Type : (UK2) BS13/5-H05VVF3G0,75-C5 / 2,00m Black

COMAREL 

Tel ; (33) 1 34 13 72 80
 mail : info@comarel.fr
 site : www.comarel.fr

RoHS compliant

All dimensions in mm